



PARTI DI RICAMBIO
SPARE PARTS
E46B 24V

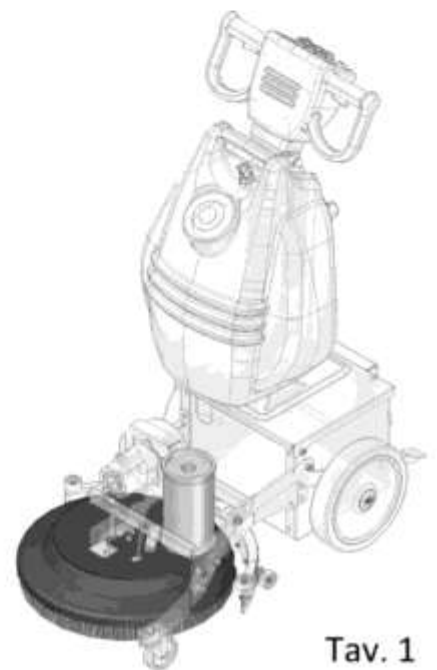
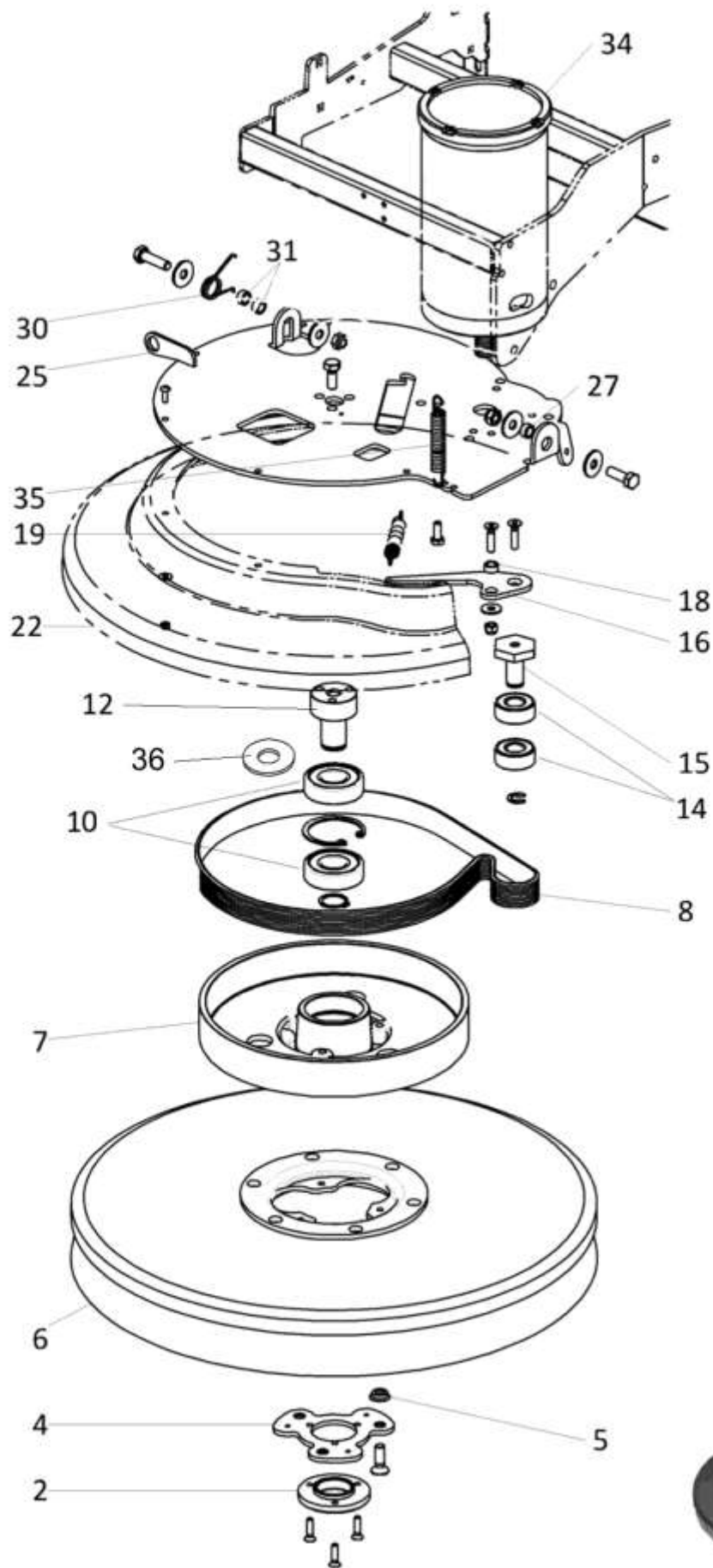


EUREKA S.r.l.

Via dell'Industria 32, 35013 CITTADELLA (PD) ITALY

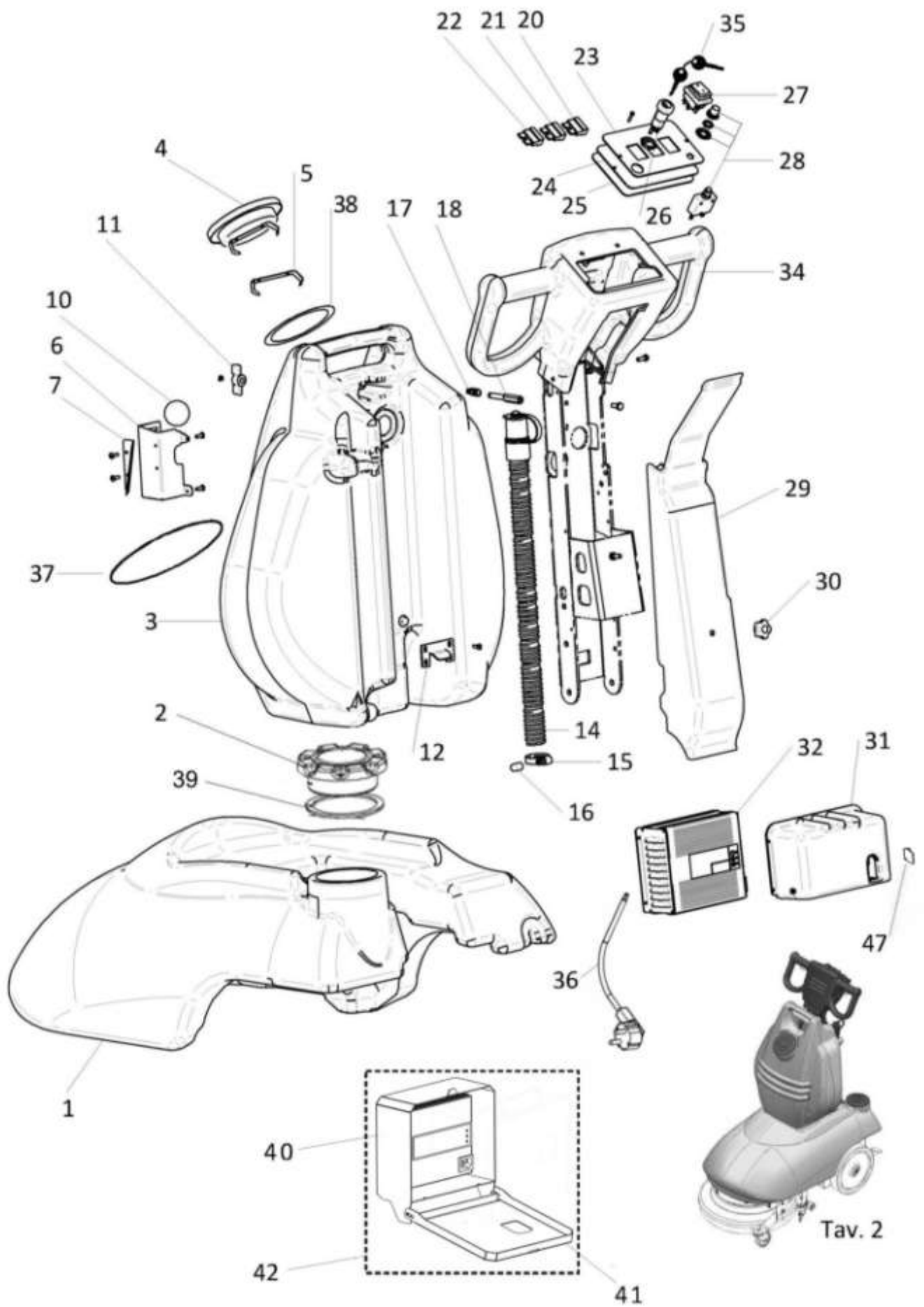
Tel. ++39 - 049 - 9481800 Fax. ++39 -049 - 9481899

INTERNET: www.eurekasweepers.com E-MAIL: info@eurekasweepers.com



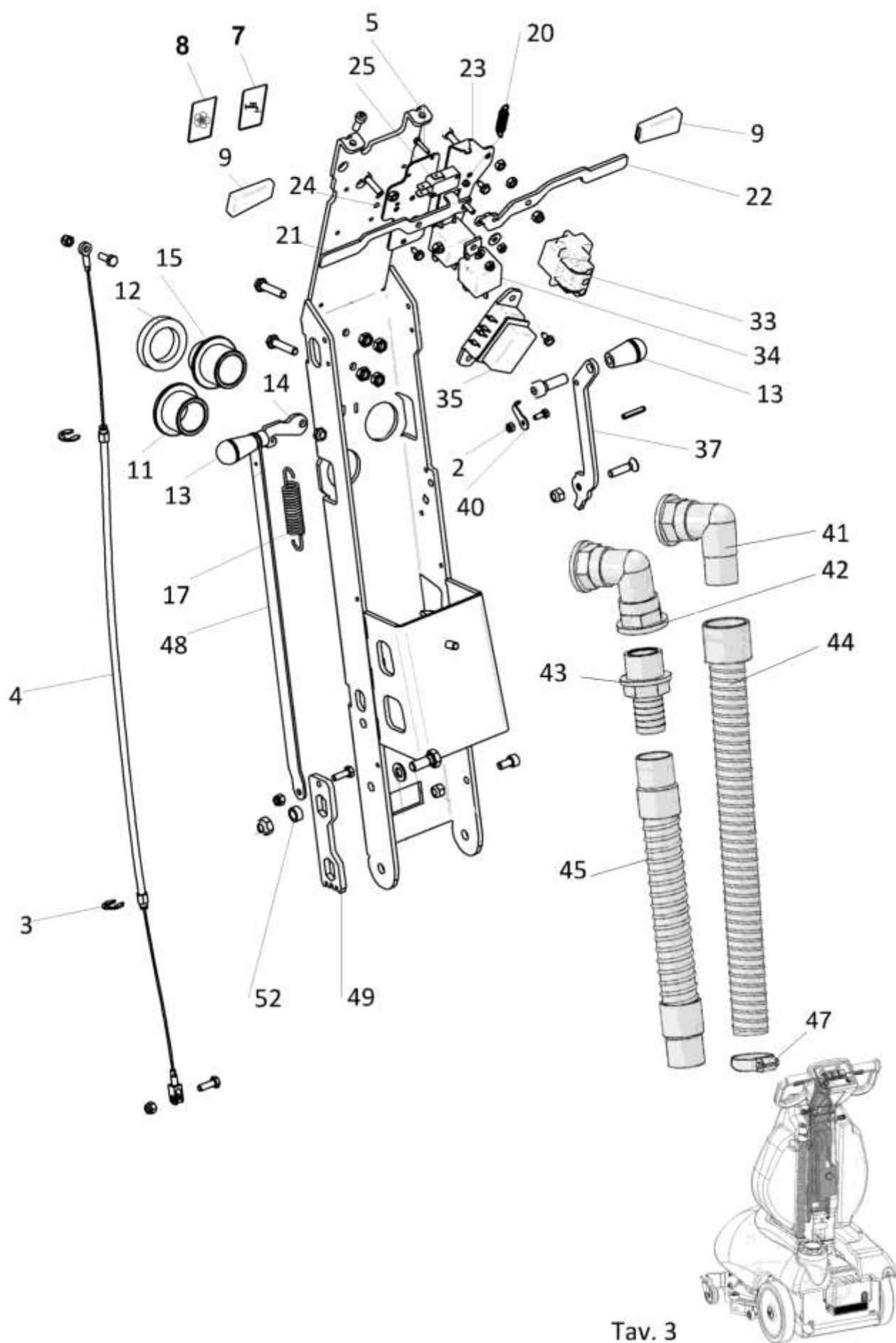
Tav. 1

| RIF. | COD. | E46B DESCRIZIONE TAV.1 | E46B DESCRIPTION TAB.1 | Q.TY |
|------|-----------|--|--|------|
| 2 | LR3661 | CENTRAGGIO SPAZZOLA | CENTERING BRUSH | 1 |
| 4 | LR3888 | FARFALLA TRASCINAMENTO | BUTTERFLY DRIVE | 1 |
| 5 | LR3662 | DISTANZIALE FARFALLA | BUTTERFLY SPACER | 3 |
| 6 | LR3815 | SPAZZOLA NYLON 0.65 | NYLON BRUSH 0.65 | 1 |
| 7 | LR3820 | CORPO VOLANO | FLYWHEEL BODY | 1 |
| | LR3820CPL | CORPO VOLANO COMPLETO | FULL FLYWHEEL BODY | 1 |
| 8 | LR3808 | CINGHIA POLI PV 914-J-10 | POLI BELT PV 914-J-10 | 1 |
| 10 | LR1224 | CUSCINETTO 6304 2RS | BEARING 6304 2RS | 1 |
| 12 | LR3821 | PERNO SUPPORTO VOLANO | FLYWHEEL SUPPORT PIN | 1 |
| 14 | LR1073 | CUSCINETTO 62202 2RS | BEARING 62202 2RS | 1 |
| 15 | LR3822 | PERNO TENDICINGHIA CH.17 L.38.7 | PIN JOCKEY CH. 17 L. 38.7 | 1 |
| 16 | LR3887 | TENDICINGHIA | JOCKEY | 1 |
| 18 | LR3668 | BOCCOLA TENDICINGHIA Ø 10 | BUSH JOCKEY ø 10 | 1 |
| 19 | LR3667 | MOLLA PER TENDICINGHIA | SPRING JOCKEY | 1 |
| 22 | LR3851 | CARTER SPAZZOLA | BRUSH CARTER | 1 |
| 25 | LR3872 | BASE ANTERIORE MOTORE | FRONT MOTOR BASE | 1 |
| 27 | LR3664 | BOCCOLA DX BASE MOTORE | RIGHT BUSH MOTOR BASE | 1 |
| 30 | LR3843 | MOLLA A TORSIONE | SPRING TORSION | 1 |
| 31 | LR3672 | BOCCOLA X COPERCHIO Ø 12x5.8 | BUSH FOR COVER ø 12X5.8 | 2 |
| 34 | LR3809 | MOTORE 24V 350W MOVI FINO A MAT. 2313 | MOTOR 24V 350W UP TO SERIAL N° 2313 | 1 |
| | LR3923 | MOTORE 24V 450W DA MAT.2314 | MOTOR 24V 450W FROM S/N 2314 | 1 |
| 35 | LR3867 | MOLLA SUPPORTO VOLANO | FLYWHEEL SUPPORT SPRING | 1 |
| 36 | LR1084 | RONDELLA SP=0.5 | WASHER | 1 |



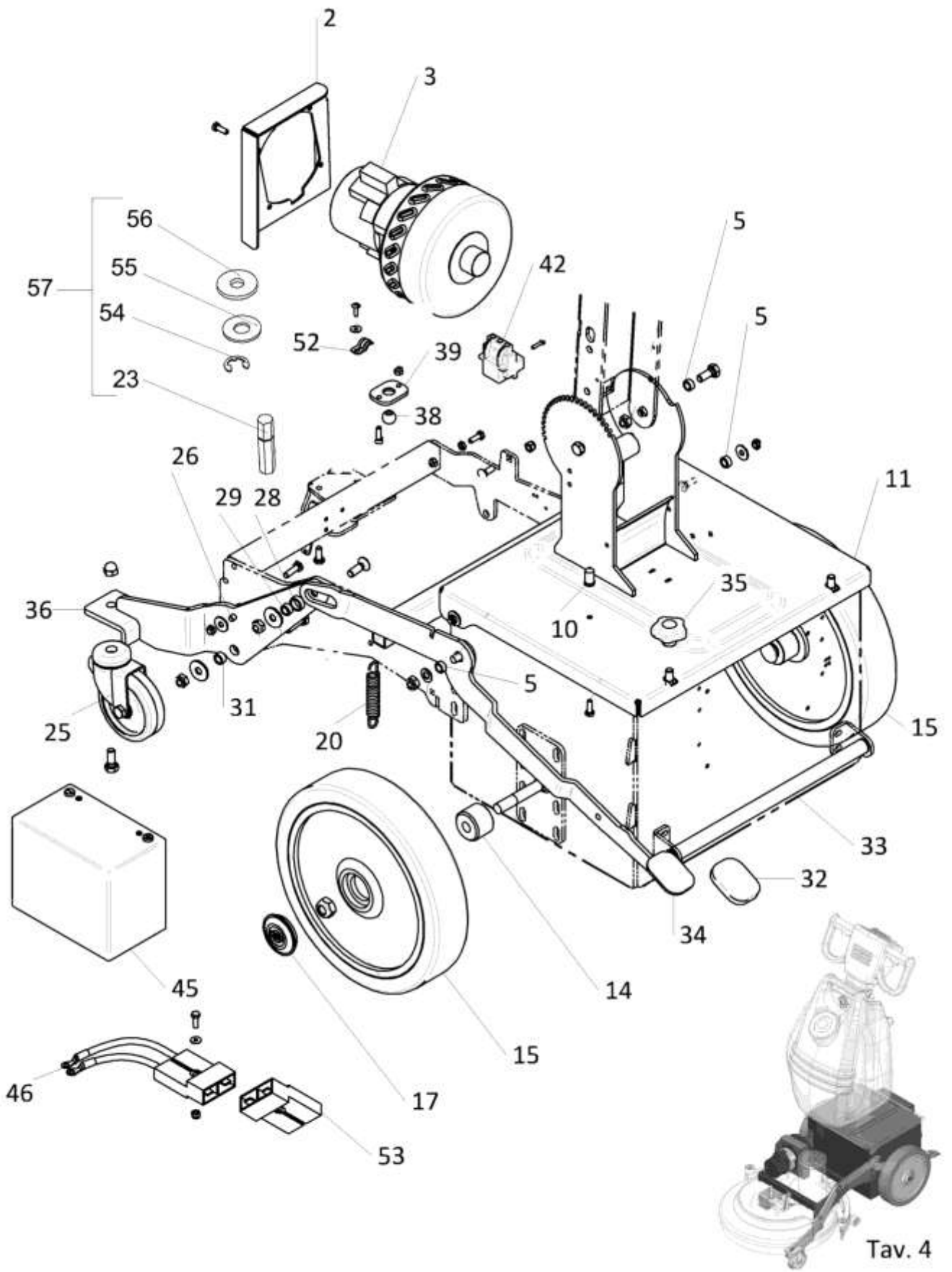
Tav. 2

| RIF. | COD. | E46B DESCRIZIONE TAV.2 | E46B DESCRIPTION TAB.2 | Q.TY |
|------|----------|--|---|------|
| 1 | LR3853VE | SERBATOIO SOLUZIONE | SOLUTION TANK | 1 |
| 2 | LR3847 | TAPPO SERBATOIO (con guarnizione) | SOLUTION TANK CAP | 1 |
| 3 | LR3854VE | SERBATOIO RECUPERO | RECOVERY TANK | 1 |
| 4 | LR3848 | TAPPO SERB.RECUPERO COMPLETO | COMPLETE RECOVERY TANK CAP | 1 |
| 5 | LR3849 | MOLLA TAPPO | CAP SPRING | 1 |
| 6 | LR3850 | SCATOLA GALLEGGIANTE INOX | STAINLESS STEEL BALLCOCK BOX | 1 |
| 7 | LR3780 | DEFLETTORE ASPIRAZIONE INOX | STAINLESS STEEL SUCTION DEFLECTOR | 1 |
| 10 | LR3734 | GALLEGGIANTE PALLINA D.40 | BALLCOCK ø 40 | 1 |
| 11 | LR3828 | CHIAVETTA DI SERRAGGIO | GIB | 1 |
| 12 | LR3746 | APPOGGIO SERBATOIO INOX | STAINLESS STEEL TANK SUPPORT | 1 |
| 14 | LR3680 | TUBO FLESSIBILE SCARICO | DRAIN HOSE | 1 |
| 15 | LR1708 | FASCETTA A VITE 20/32 NORD M20 Z | CLAMP SCREW 20/32 NORD M20 Z | 1 |
| 16 | LR6102 | PROTEZIONE EPS VERDE | GREEN EPS PROTECTION | 1 |
| 17 | LR6163 | MOLLA PR F.1.2 INOX | SPRING PR F. 1.2 STAINLESS STEEL | 1 |
| 18 | LR3829 | PERNO ATTACCO SERBATOIO A/S | TANK CONNECTION PIN A/S | 1 |
| 20 | LR3751 | FUSIBILE UNIVAL 1 AMP | UNIVAL FUSE 1 AMP | 1 |
| 21 | LR3752 | FUSIBILE UNIVAL 5 AMP | UNIVAL FUSE 5 AMP | 1 |
| 22 | LR3753 | FUSIBILE UNIVAL 20 AMP | UNIVAL FUSE 20 AMP | 1 |
| 23 | LR0870/2 | ADESIVO QUADRO BATTERIA | BATTERY PANEL ADHESIVE | 1 |
| 24 | LR3881 | QUADRO COMANDO BATTERIA | BATTERY CONTROL PANEL | 1 |
| 25 | LR3856 | ADESIVO GOMMA SPUGNA | FOAM RUBBER ADHESIVE | 1 |
| 26 | 660070 | INTERRUTTORE CON CHIAVI 0-1 | KEY SWITCH 0-1 | 1 |
| 27 | LR6114 | INTERRUTTORE LUMINOSO 24V | LIGHT SWITCH 24V | 3 |
| 28 | LR3769 | INTERRUTTORE TERMICO K 700 35A | THERMAL SWITCH K700 35A | 1 |
| 29 | LR3852 | CARTER POSTERIORE MANICO | HANDLE BACK CARTER | 1 |
| 30 | LR3775 | VOLANTINO V1/30 BFP M6 | KNOB V1/30 BFP M6 | 1 |
| 31 | LR3772 | CARTER CAR.BAT. FINO A MATR.2237 | BATT.CHARGER CARTER UNTIL S/N 2237 | 1 |
| | LR3935 | CARTER CAR.BAT. (SPINA LATERALE) DA MATR. 2238 FINO A MATR. 2514 | BATT.CHARGER CARTER (LATERAL PLUG) FROM S/N 2238 UNTIL P/N 2514 | 1 |
| 32 | LR3826 | CARICA BATTERIE SPE 24 V 8A FINO A MATR.2514 (PRESA LATERALE) | BATTERY CHARGER 24 V 8A UNTIL S/N 2514 | 1 |
| | 620086 | CARICA BATTERIE SPE 24 V 8A DA MATR. 2515 N (PRESA FRONTALE) | BATTERY CHARGER 24 V 8A S/N 2515 | 1 |
| 34 | LR3855 | IMPUGNATURA MANICO | HANDLE | 1 |
| 35 | 660072 | COPPIA DI CHIAVI | KEY HOOD | 1 |
| 36 | LR3650/1 | CAVO CARICABATTERIE EUROPEO | EUROPEAN BATTERY CHARGER CABLE | 1 |
| | LR3650/2 | CAVO CARICABATTERIE AMERICANO | AMERICAN BATTERY CHARGER CABLE | |
| 37 | 510322 | ADESIVO SERBATOIO EUREKA | EUREKA TANK ADHESIVE | 1 |
| 38 | LR3833 | GUARNIZIONE TAPPO SERBATOIO Ø114x95x3 | SOLUTION TANK GASKET Ø114x95x3 | 1 |
| 39 | LR3839 | GOMMA SPUGNA Ø110x90x3 | FOAM RUBBER GASKET Ø110x90x3 | 1 |
| 40 | 120806 | SCATOLA CAR.BAT. DA MATR. 2515 | BATT.CHARGER CARTER FROM S/N 2515 | 1 |
| 41 | 490548 | COPERCHIO SCATOLA CAR.BAT. DA MATR.2515 | BATT.CHARGER CARTER COVER FROM S/N 2515 | 1 |
| 42 | 490553 | KIT NUOVO CARICABATTERIE | BATTERY CHARGER KIT | 1 |
| 47 | LR3916 | SPORTELLINO PER CARTER CARICABATTERIA | BATTERY CHARGER HOUSING COVER | 1 |



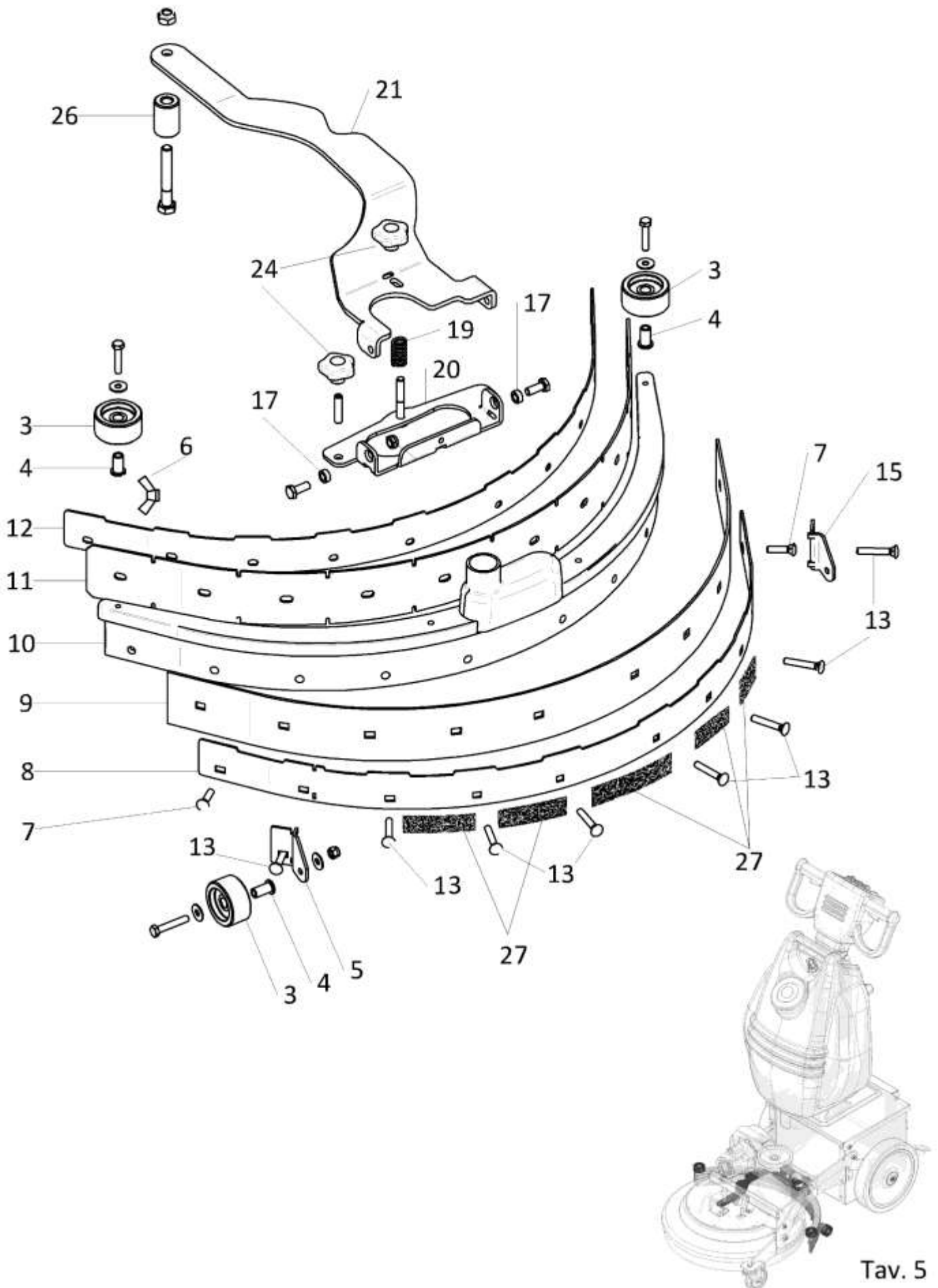
Tav. 3

| RIF. | COD. | E46B DESCRIZIONE TAV.3 | E46B DESCRIPTION TAB.3 | Q.TY |
|------|----------|---|--------------------------------|------|
| 4 | LR3859 | CAVO TERGIPAVIMENTO COMPLETO | FULL SQUEEGEE CABLE | 1 |
| 5 | LR3873 | SOSTEGNO MANICO | HANDLE SUPPORT | 1 |
| 7 | LR0432 | ADESIVO VISIONE TERGIPAVIMENTO | SQUEEGEE VISIBLE ADHESIVE | 1 |
| 8 | LR0433 | ADESIVO VISIONE ASPIRATORE | VAKUUM VISIBLE ADHESIVE | 1 |
| 9 | LR3720 | MANOPOLA IN PVC A PRESSIONE | PVC PRESSURE HANDLE | 2 |
| 11 | LR3677 | PORTAGOMMA TERGIPAVIMENTO | SQUEEGEE HOSE | 1 |
| 12 | LR3913 | GUARNIZIONE D. 29X45 X 8 IN NEOPRENE | NEOPRENE GASKET | 2 |
| 13 | LR3695 | POMELLO PM3/36/FFC-M8 | KNOB PM3/36/FFC-M8 | 2 |
| 14 | LR3703 | LEVA COMANDO CRICCHETTO | RATCHET LEVER | 1 |
| 15 | LR3678 | PORTAGOMMA ASPIRATORE | VAKUUM HOSE | 1 |
| 17 | LR3667 | MOLLA TENDICINGHIA | SPRING JOCKEY | 1 |
| 20 | LR3689 | MOLLA PER LEVE ARRESTO | SPRING FOR LEVER STOP | 1 |
| 21 | LR3878 | LEVA COMANDO ARRESTO SX | LEFT LEVER STOP | 1 |
| 22 | LR3877 | LEVA COMANDO ARRESTO DX | RIGHT LEVER STOP | 1 |
| 23 | LR3701 | SUPPORTO POLO-MOLLA | POLE-SPRING SUPPORT | 1 |
| 24 | LR3716 | SUPPORTO RELE-MICRO | RELAIS-MICRO SUPPORT | 1 |
| 25 | LR3770 | MICRO INTERRUOTTORE 16A 230V | MICRO SWITCH 16A 230V | 1 |
| 33 | LR6227 | MORSETTIERA UNIPOLARE 3 VIE | SINGLE TERMINAL 3 VIE | 1 |
| 34 | LR6180 | RELE' CON SUPPORTO 24V | RELAIS WITH SUPPORT 24V | 2 |
| 35 | LR6105 | PORTAFUSIBILE 4 VIE | FUSE 4 VIE | 1 |
| 37 | LR3706 | LEVA TERGIPAVIMENTO | SQUEEGEE LEVER | 1 |
| 40 | LR3857 | MOLLA A NASTRO X LEVA | SPRING BAND FOR LEVER | 1 |
| 41 | LR3676 | RACCORDO CURVO ASPIRATORE FINO A MATR. 2454 | VAKUUM ELBOW UNTIL S/N 2454 | 1 |
| | LR3676/1 | RACCORDO CURVO ASPIRATORE DA MATR. 2455 | VAKUUM ELBOW FROM S/N 2455 | 1 |
| 42 | LR3666 | RACCORDO CURVO F-F 1" | ELBOW F-F 1" | 1 |
| 43 | LR3679 | PORTAGOMMA DRITTO 1" M | STRAIGHT HOSE 1"M | 1 |
| 44 | LR3869 | TUBO FLESSIBILE ASPIRATORE FINO A MATR. 2454 | VAKUUM HOSE UNTIL S/N 2454 | 1 |
| | LR3896 | TUBO FLESSIBILE ASPIRATORE DA MATR. 2455 | VAKUUM HOSE FROM S/N 2455 | 1 |
| 45 | LR3868 | TUBO FLESSIBILE TERGIPAVIMENTO | SQUEEGEE HOSE | 1 |
| | LR3894 | TUBO FLESSIBILE TERGI CON MANICOTTI | SQUEEGEE HOSE | |
| 47 | LR1708 | FASCETTA A VITE 20/32 NORD M20 Z | CLAMP SCREW 20/32 NORD M20 Z | 1 |
| 48 | LR3875 | COLLEGAMENTO LEVA-CRICCHETTO | HANDLE-RATCHET CONNECTION | 1 |
| 49 | LR3876 | CRICCHETTO DENTATO | TOOTHED RATCHET | 1 |
| 52 | LR3663 | RULLINO CRICCHETTO ESAGONALE | HEX RATCHET ROLLER | 2 |



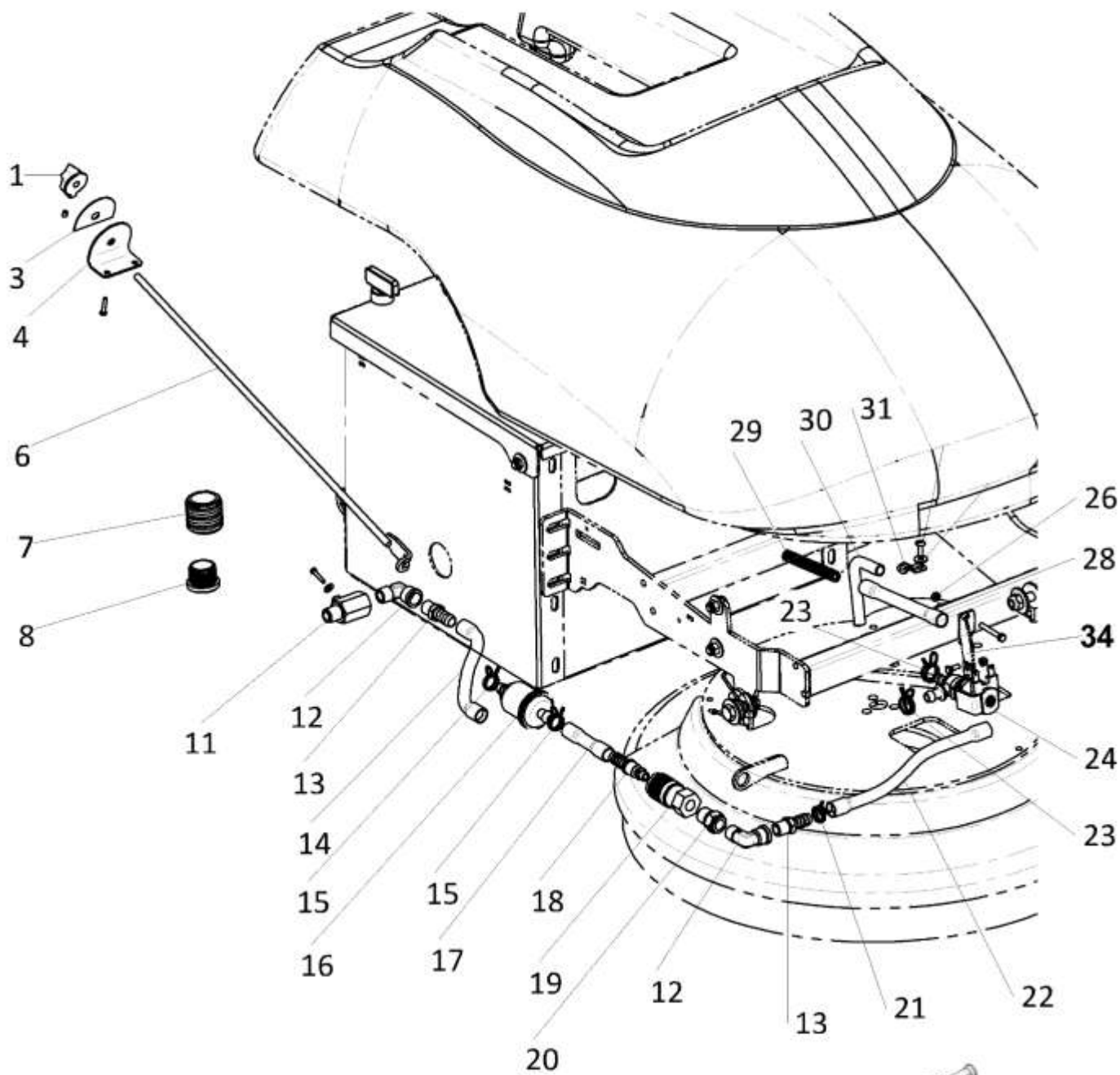
Tav. 4

| RIF. | COD. | E46B DESCRIZIONE TAV.4 | E46B DESCRIPTION TAB.4 | Q.TY |
|------|-----------|--------------------------------|---------------------------------|------|
| 2 | LR3711 | SUPPORTO ASPIRATORE | VAKUUM SUPPORT | 1 |
| 3 | LR3810 | MOTORE ASPIRAZIONE 24V | VAKUUM MOTOR 24V | 1 |
| 5 | LR3672 | BOCCOLA PER COPERCHIO ø 12x5.8 | BUSH FOR LEVER ø 12X5.8 | 5 |
| 10 | LR3670 | PERNO CENTRAGGIO SERBATOIO A/P | TANK CENTERING PIN A/P | 1 |
| 11 | LR3871 | COPERCHIO BATTERIE | BATTERY COVER | 1 |
| 14 | LR3823 | DISTANZIALE SUPPORTO RUOTE | WHEELS SUPPORT SPACER | 2 |
| 15 | LR3824 | RUOTA D.250x50 ANTITRACCIA | FREE WHEEL D.250X50 | 2 |
| 17 | LR3674/2 | COPRIMOZZO G-48 GRIGIO 7016 | COVER G-48 GREY 7016 | 2 |
| 20 | LR3866 | MOLLA LEVA PEDALE | LEVER PEDAL SPRING | 1 |
| 23 | LR3844 | PERNO SERBATOIO SOLUZIONE | SOLUTION TANK PIN | 1 |
| 25 | LR3827 | RUOTA PIROETTANTE ø 80 | WHEEL ø 80 | 1 |
| 26 | LR3831 | RULLINO GUIDA LEVA | GUIDE ROLLER LEVER | 1 |
| 28 | LR3825 | RULLINO ESTERNO SNODO LEVE | EXTERNAL ROLLER LEVER ARM | 1 |
| 29 | LR3832 | BOCCOLA INTERNA SNODO LEVE | LEVER ARM INTERNAL BUSH | 1 |
| 31 | LR3830 | RULLINO SOSTEGNO LEVA | LEVER SUPPORT ROLLER | 1 |
| 32 | LR3837 | COPRI PEDALE GOMMA NERA | BLACK RUBBER PEDAL COVER | 1 |
| 33 | LR3870 | TELAIO E VANO BATTERIE | CHASSIS AND BATTERY | 1 |
| 34 | LR3886 | LEVA PEDALE POSTERIORE SX | LEVER BACK PEDAL | 1 |
| 35 | LR6050 | VOLANTINO V1/30/BFC M.8 | KNOB V1/30/BFC M.8 | 2 |
| 36 | LR3885 | SUPPORTO RUOTA ANTERIORE SX | LEFT FRONT WHEEL SUPPORT | 1 |
| 38 | LR3685 | SNODO TERGIPAVIMENTO | JOINT SQUEEGEE | 1 |
| 39 | LR3713 | PIASTRINA SNODO TERGIPAVIMENTO | PLATE PIVOT SQUEEGEE | 1 |
| 42 | LR6227 | MORSETTIERA 3 VIE | TERMINAL 3 VIE | 1 |
| 45 | LR3648 | BATTERIA 12V 85A AGM | BATTERY 12V 85A AGM | 2 |
| 46 | LR6251/2 | CABLAGGIO COMPLETO BATTERIE | COMPLETE WIRING BATTERIES | 1 |
| 52 | LR1262 | GRAFFETTA ø 14-15 | CLIP ø 14-15 | 2 |
| 53 | 640140 | CONNETTORE SR50R | SR50R CONNECTOR | 1 |
| 54 | LR1773 | SEEGER E D.12-RS RADIALE | RADIAL SEEGER D.12 | 1 |
| 55 | LR1774 | ROND.F.LARGA M.12 -14 X 36 ZNT | WASHER M.12 -14 X 36 GALVANIZED | 1 |
| 56 | LR3922 | GOMMA ADES.EPDM D.13 X 38 SP.4 | GASKET EPDM D.13 X 38 SP.4 | 1 |
| 57 | LR3844CPL | PERNO SERBATOIO COMPLETO | COMPLETE SOLUTION TANK PIN | 1 |



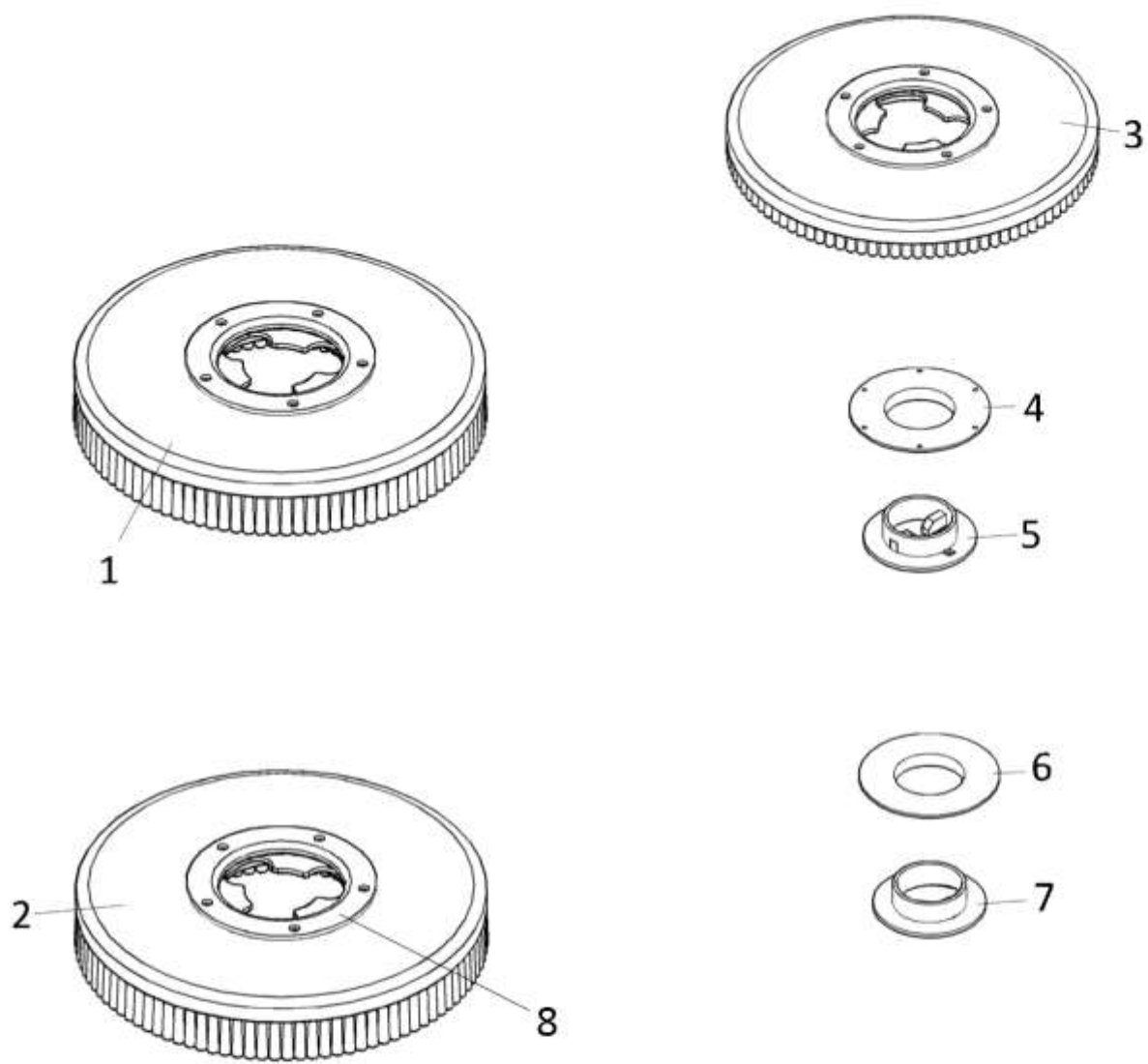
Tav. 5

| RIF. | COD. | E46B DESCRIZIONE TAV.5 | E46B DESCRIPTION TAB.5 | Q.TY |
|------|--------|-----------------------------------|-------------------------------------|------|
| 3 | LR3736 | RUOTA D.38/40 PLASTICA | WHEEL D.38/40 PLASTIC | 4 |
| 4 | LR3735 | BOCCOLA X RUOTA ø 12 ZNT | BUSH FOR WHEEL ø 12 GALVANIZED | 4 |
| 5 | LR3738 | SUPPORTO SX RUOTA INOX | LEFT WHEEL SUPPORT STAINLESS STEEL | 1 |
| 6 | LR1754 | DADO CON ALETTE INOX | WING NUT M5 INOX | 10 |
| 7 | LR1758 | VITE T/T Q.S.T. M.5x20 ZNT | SCREW M5X20 GALVANIZED | 2 |
| 8 | LR3864 | FASCIA POSTERIORE TERGIPAV. INOX | SQUEEGEE BACK BAND STAINLESS STEEL | 1 |
| 9 | 380013 | GOMMA POST. TERGIPAV. LINATEX | SQUEEGEE BACK RUBBER LINATEX | 1 |
| | 380020 | GOMMA POST. TERGIP. POLIURETANO | SQUEEGEE BACK RUBBER POLIURETANO | 1 |
| 10 | LR3858 | CORPO TERGIPAVIMENTO ALLUMINIO | SQUEEGEE ALUMINIUM BODY | 1 |
| 11 | 380016 | GOMMA ANT. TERGIPAV. LINATEX | SQUEEGEE FRONT RUBBER LINATEX | 1 |
| | 380019 | GOMMA ANT. TERGIPAV. POLIURETANO | SQUEEGEE FRONT RUBBER POLIURETANO | 1 |
| 12 | LR3865 | FASCIA ANTERIORE TERGIPAV. INOX | SQUEEGEE FRONT BAND STAINLESS STEEL | 1 |
| 13 | LR1737 | VITE T/T Q.S.T. M.5x30 ZNT | SCREW M5X30 GALVANIZED | 8 |
| 15 | LR3737 | SUPPORTO DX RUOTA INOX | RIGHT WHEEL SUPPORT STAINLESS STEEL | 1 |
| 17 | LR3668 | BOCCOLA TERGIPAVIMENTO | SQUEEGEE BUSH | 2 |
| 19 | LR3725 | MOLLA X TERGIPAVIMENTO | SPRING FOR SQUEEGEE | 1 |
| 20 | LR3879 | STAFFA TERGI PAVIMENTO | SQUEEGEE CLAMP | 1 |
| 21 | LR3880 | TIMONE TERGIPAVIMENTO | RUDDER SQUEEGEE | 1 |
| 24 | LR3775 | VOLANTINO V1/30 BFP M6 | KNOB V1/30 BFP M6 | 3 |
| 26 | LR3776 | DISTANZIALE SNODO ZNT | SPACER BRACKET GALVANIZED | 1 |
| 27 | M30175 | ABRASIVO FASCIA POST. TERGIPAVIM. | ABRASIVE BAND FOR SQUEEGEE BACK | 33cm |



Tav. 6

| RIF. | COD. | E46B DESCRIZIONE TAV.6 | E46B DESCRIPTION TAB.6 | Q.TY |
|------|--------|----------------------------------|------------------------------------|------|
| 1 | LR6217 | POMELLO AD INDICE | INDEX KNOB | 1 |
| 3 | LR0875 | ADESIVO COMANDO ACQUA | ADHESIVE WATER CONTROL | 1 |
| 4 | LR3884 | SUPPORTO INDICE | INDEX BRACKET | 1 |
| 6 | LR3883 | ASTA COMANDO RUBINETTO | VALVE STEM | 1 |
| 7 | LR3806 | RIDUZIONE M.1/2" - F.3/8" | ADAPTATION M.1/2" - F.3/8" | 1 |
| 8 | LR3804 | TAPPO ZIGRINATO 3/8" | KNURLED CAP 3/8" | 1 |
| 11 | LR3840 | VALVOLA SFERA F.1/4" - M.1/4" | BALL VALVE F. 1/4" - M. 1/4" | 1 |
| 12 | LR3841 | RACCORDO "L" M-F 1/4" | GUSSET M-F 1/4" | 2 |
| 13 | LR3842 | PORTAGOMMA 1/4" | HOSE 1/4" | 2 |
| 14 | LR3803 | TUBO VALVOLA-FILTRO | PIPE VALVE FILTER | 1 |
| 15 | LR1743 | FASCETTE BIFILARI Ø11,3 | TIE WIRES ø 11,3 | 2 |
| 16 | LR3807 | FILTRO CHIUSO | FILTER | 1 |
| | LR3920 | FILTRO APRIBILE | DECOMPOSABLE FILTER | |
| 17 | LR3835 | TUBO ATTACCO-FILTRO | FILTER PIPE ATTACK | 1 |
| 18 | LR3834 | INNESTO PORTAGOMMA | HOSE COUPLING | 1 |
| 19 | LR3836 | PRESA ATTACCO FEMMINA 1/4" | FEMALE THREAD SOCKET 1/4" | 1 |
| 20 | LR6220 | RIDUZIONE CONICA 1/4" M - 1/4" F | CONICAL ADAPTATION 1/4" M - 1/4" F | 1 |
| 21 | LR1274 | FASCETTE BIFILARI Ø 13.3 | TIE WIRES ø 13,3 | 1 |
| 22 | LR3813 | TUBO ATTACCO - ELETTROVALVOLA | PIPE COUPLING SOLENOID | 1 |
| 23 | LR1747 | FASCETTE BIFILARI Ø 14.8 ZNT | TIE WIRES ø 14.8 GALVANIZED | 2 |
| 24 | LR3812 | ELETTROVALVOLA 24V | SOLENOID 24V | 1 |
| 28 | LR3814 | TUBO ELETTROVALVOLA - VOLANO | SOLENOID TUBE FLYWHEEL | 1 |
| 29 | LR3025 | MOLLA CAVO ACQUA | WATER CABLE SPRING | 1 |
| 30 | LR3805 | CURVA RAME Ø 10 SP.1 L.90 | COPPER CURVE ø 10 TH. 1 L. 90 | 1 |
| 31 | LR1714 | GRAFFETTA Ø 12-13 | CLIP ø 12-13 | 1 |
| 34 | LR3874 | SUPPORTO ELETTROVALVOLA | SOLENOID BRACKET | 1 |



Tav. 7

| RIF. | COD. | E46B DESCRIZIONE TAV.7 | E46B DESCRIPTION TAB.7 | Q.TY |
|-------------|-------------|---------------------------------|-------------------------------------|-------------|
| 1 | LR3817 | SPAZZOLA PPL 0.45 OPTIONAL | PPL BRUSH 0.45 OPTIONAL | 1 |
| 2 | LR3818 | SPAZZOLA TYNEX 1.2 OPTIONAL | TYNEX BRUSH 1.2 OPTIONAL | 1 |
| 3 | LR3816 | DISCO TRASCINATORE | PAD DRIVER | 1 |
| 4 | LR3784 | CENTER LOCK FEMMINA TRAS. NERO | FEMALE PAD DRIVER CENTER LOCK BLACK | 1 |
| 5 | LR3785 | CENTER LOCK MASCHIO TRAS. NERO | MALE PAD DRIVER CENTER LOCK BLACK | 1 |
| 6 | 520103 | CENTER LOCK FEMMINA TRAS. VERDE | FEMALE PAD DRIVER CENTER LOCK GREEN | 1 |
| 7 | 520104 | CENTER LOCK MASCHIO TRAS. VERDE | MALE PAD DRIVER CENTER LOCK GREEN | 1 |
| 8 | LR0401/1 | FLANGIA SPAZZOLA IN METALLO | <i>BRUSH METAL FLANGE</i> | 1 |

LISTE RICAMBI CONSIGLIATI E46B

RECOMMENDED SPARE PARTS LIST - EMPFOHLENE ERSATZTEILE LISTE

LISTE DE PIÈCES RECOMMANDÉES - LISTA DE PIEZAS ACONSEJADAS

LISTA A (MATERIALI DI CONSUMO - WEARABLE MATERIAL - ABNUTZUNGSMATERIAL - MATERIELLES DE CONSOMMATION - MATERIALES DE CONSUMO)

| Codice N° Part. No. | Quantità Quantity | Descrizione | Description |
|------------------------|----------------------|--|---|
| LR3810 | 1 | MOTORE 24v ASPIRAZIONE | VACUUM MOTOR 24v |
| LR3815 | 1 | SPAZZOLA LAVARE 0.65 STANDARD | 0.65 BRUSH DISC STANDARD |
| LR3816 | 1 | DISCO TRASCINATORE | PAD HOLDER DISC |
| LR3808 | 1 | CINGHIA POLI PV 914-J-10 | POLY PV 914-J-10 BELT |
| LR3680 | 1 | TUBO FLESS.SCARICO | UNLOAD FLEXIBLE PIPE |
| LR3894 | 1 | TUBO FLESS.TERGI CON MANICOTTI | WIPER FLEXIBLE PIPE |
| LR3869 | 1 | TUBO FLESS X ASPIRATORE FINO MATR. 2454 | ASPIRATOR FLEXIBLE PIPE UNTIL S/N 2454 |
| LR3896 | 1 | TUBO FLESS X ASPIRATORE DA MATR. 2455 | ASPIRATOR FLEXIBLE PIPE FROM S/N 2455 |
| LR3913 | 2 | GUARNIZIONE IN NEOPRENE | NEOPRENE GASKET |
| LR3812 | 1 | ELETTRIVALVOLA 24v | SOLENOID 24V |
| LR3859 | 1 | CAVO SOLL.TERGI COMPLETO | WIPER LIFTING CABLE |
| LR6180 | 2 | RELE CON SUPP. 24V | 24V RELAIS WITH SUPPORT |
| LR6114 | 3 | INTERR. BIP. LUM. | BRIGHT SWITCH |
| 380013 | 1 | GOMMA TERGI POST. IN LINATEX | LINATEX POSTERIOR WIPER RUBBER |
| 380016 | 1 | GOMMA TERGI ANT. IN LINATEX | LINATEX ANTERIOR WIPER RUBBER |
| 380020 | 1 | GOMMA TERGI POST. POLIURETANO | POLIURETAN POST. WIPER RUBBER |
| 380019 | 1 | GOMMA TERGI ANT. POLIURETANO | POLIURETAN ANT. WIPER RUBBER |
| LR3751 | 1 | FUSIBILE UNIVAL 1 A | UNIVAL 1A FUSE |
| LR3752 | 1 | FUSIBILE UNIVAL 5 A | UNIVAL 5A FUSE |
| LR3753 | 1 | FUSIBILE UNIVAL 20 A | UNIVAL 20A FUSE |
| LR3920 | 1 | FILTRO APRIBILE | DECOMPOSABLE FILTER |
| LR3834 | 1 | INNESTO RAPIDO MASCHIO | FAST MALE JOINT |
| LR3836 | 1 | INNESTO RAPIDO FEMMINA | FAST FEMALE JOINT |
| 660070 | 1 | INTERUTTORE CON CHIAVI 0-1 ESTRAZI | KEY SWITCH 0-1 |
| 640140 | 2 | CONNETTORE ROSSO SR50R | SR50R RED CONNECTOR |

LISTA B (MATERIALI PER INTERVENTI ORDINARI - MATERIAL FOR ORDINARY MAINTENANCE - MATERIAL FÜR ORDENTLICHE WARTUNG - MATERIELLES POUR OPERATIONS ORDINAIRES - MATERIALES PARA OPERACIONES ORDINARIAS)

| Codice N° Part. No. | Quantità Quantity | Descrizione | Description |
|------------------------|----------------------|--------------------------------------|--|
| LR1708 | 1 | FASCETTA A VITE 20/32 NORD M20 Z | 20/32 NORD M20 Z JUBILEE CLIP |
| 620086 | 1 | CARICA BATTERIE 24V 8A | 24V 8A BATTERY CHARGER |
| LR3824 | 2 | RUOTA D.250 | D.250 WHEEL |
| LR3852 | 1 | CARTER POST.COPERT.MANICO NERO | POSTERIOR HANDLE BLACK CARTER |
| LR3847 | 1 | TAPPO SERBATOIO SOLUZIONE A/P | SOLUTION TANK CAP |
| LR3848 | 1 | TAPPO SERBATOIO RECUPERO A/S | RECOVERY TANK CAP |
| LR3736 | 4 | RUOTA D.38/40 PLASTICA | D.38/40 PLASTIC WHEEL |
| LR3840 | 1 | VALV.SFERA 1/4 M 1/4 F | 1/4 M 1/8 F SPHERE VALVE |
| LR3769 | 1 | INTERRUT.TERM.K 700 35A | K700 35A THERMAL INTERRUPTER |
| LR3770 | 1 | MICRO INTERRUTTORE 16A 230V | 16A 230V MICRO INTERRUPTER |
| LR3784 | 1 | CORPO FILETT. FEMMINA TRAS.NERO | PAD HOLDER DISC FEMALE BODY HANDLE BLACK |
| LR3785 | 1 | CORPO FILETT. MASCHIO TRAS.NERO | PAD HOLDER DISC MALE BODY BLACK |
| 520103 | 1 | CORPO FILETT. FEMMINA TRAS.VERDE | PAD HOLDER DISC FEMALE BODY HANDLE GREEN |
| 520104 | 1 | CORPO FILETT. MASCHIO PER TRAS.VERDE | PAD HOLDER DISC MALE BODY GREEN |

DATA ULTIMO AGGIORNAMENTO: 19/05/13

DATE OF THE LAST UPDATE: 19/05/13